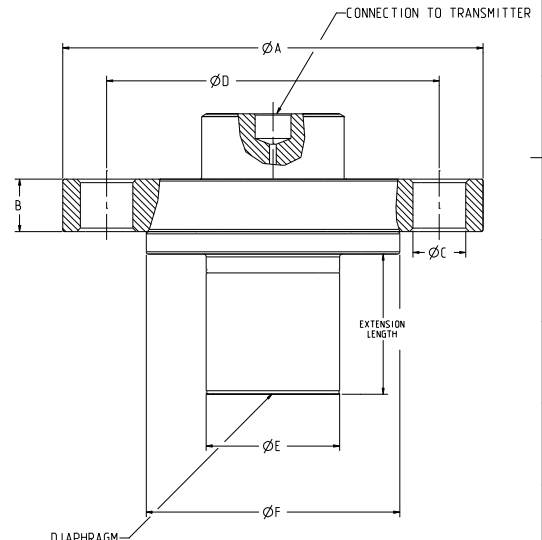
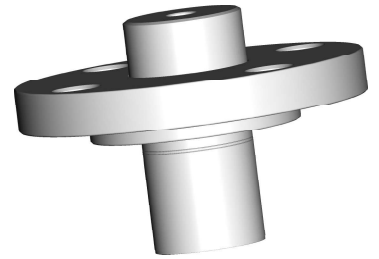


EXTENDED FLANGED SEAL (EFW)

ASME B16.5	PIPE SIZE	CLASS	DIAMETER "A"	THICKNESS "B"	DIAMETER "C"	BOLT CIRCLE DIAMETER "D"	# OF BOLTS	DIAMETER "E"
	1-1/2"	1500	5.00 (127)	0.62 (16)	0.63 (16)	3.88 (99)	4	2.88 (73)
		3000	6.12 (155)	0.75 (19)	0.88 (22)	4.50 (114)	4	2.88 (73)
		6000	6.12 (155)	0.88 (22)	0.88 (22)	4.50 (114)	4	2.88 (73)
		9000	7.00 (178)	1.25 (32)	1.13 (29)	4.88 (124)	4	2.88 (73)
		15000	7.00 (178)	1.25 (32)	1.13 (29)	4.88 (124)	4	2.88 (73)
		25000	8.00 (203)	1.75 (44)	1.25 (32)	5.75 (146)	4	2.88 (73)
	2"	1500	6.00 (152)	0.69 (18)	0.75 (19)	4.75 (121)	4	3.62 (92)
		3000	6.50 (165)	0.81 (21)	0.75 (19)	5.00 (127)	8	3.62 (92)
		6000	6.50 (165)	1.00 (25)	0.75 (19)	5.00 (127)	8	3.62 (92)
		9000	8.50 (216)	1.50 (38)	1.00 (25)	6.50 (165)	8	3.62 (92)
		15000	8.50 (216)	1.50 (38)	1.00 (25)	6.50 (165)	8	3.62 (92)
		25000	9.25 (235)	2.00 (51)	1.13 (29)	6.75 (171)	8	3.62 (92)
	3"	1500	7.50 (191)	0.88 (22)	0.75 (19)	6.00 (152)	4	5.00 (127)
		3000	8.25 (210)	1.06 (27)	0.88 (22)	6.62 (168)	8	5.00 (127)
		6000	8.25 (210)	1.25 (32)	0.88 (22)	6.62 (168)	8	5.00 (127)
		9000	9.50 (241)	1.50 (38)	1.00 (25)	7.50 (191)	8	5.00 (127)
		15000	10.50 (267)	1.88 (48)	1.25 (32)	8.00 (203)	8	5.00 (127)
	4"	25000	12.00 (305)	2.62 (67)	1.38 (35)	9.00 (229)	8	5.00 (127)
		1500	9.00 (229)	0.88 (22)	0.75 (19)	7.50 (191)	8	6.20 (157)
		3000	10.00 (254)	1.19 (30)	0.88 (22)	7.88 (200)	8	6.20 (157)
		6000	10.75 (273)	1.50 (38)	1.00 (25)	8.50 (216)	8	6.20 (157)
		9000	11.50 (292)	1.75 (44)	1.25 (32)	9.25 (235)	8	6.20 (157)
		15000	12.25 (311)	2.12 (54)	1.38 (35)	9.50 (241)	8	6.20 (157)
		25000	14.00 (356)	3.00 (76)	1.63 (41)	10.75 (273)	8	6.20 (157)
EN1092-1	DN40	PN16-PN40	5.91 (150)	0.71 (18)	0.71 (18)	4.33 (110)	4	3.46 (88)
		PN63-PN100	6.69 (170)	1.02 (26)	0.87 (22)	4.92 (125)	4	3.46 (88)
		PN160	6.69 (170)	1.10 (28)	0.87 (22)	4.92 (125)	4	3.46 (88)
	DN50	PN40	6.50 (165)	0.79 (20)	0.71 (18)	4.92 (125)	4	4.02 (102)
		PN63	7.09 (180)	1.02 (26)	0.87 (22)	5.31 (135)	4	4.02 (102)
		PN100	7.68 (195)	1.10 (28)	1.02 (26)	5.71 (145)	4	4.02 (102)
		PN160	7.68 (195)	1.18 (30)	1.02 (26)	5.71 (145)	4	4.02 (102)
	DN80	PN40	7.87 (200)	0.94 (24)	0.71 (18)	6.30 (160)	8	5.43 (138)
		PN63	8.46 (215)	1.10 (28)	0.87 (22)	6.69 (170)	8	5.43 (138)
		PN100	9.06 (230)	1.28 (32)	1.02 (26)	7.09 (180)	8	5.43 (138)
		PN160	9.06 (230)	1.42 (36)	1.02 (26)	7.09 (180)	8	5.43 (138)
	DN100	PN10/16	8.66 (220)	0.79 (20)	0.71 (18)	7.09 (180)	8	6.20 (157)
		PN40	9.25 (235)	0.94 (24)	0.87 (22)	7.48 (190)	8	6.20 (157)
		PN63	9.84 (250)	1.18 (30)	1.02 (26)	7.87 (200)	8	6.20 (157)
		PN100	10.43 (265)	1.42 (36)	1.18 (30)	8.27 (210)	8	6.20 (157)
		PN160	10.43 (265)	1.57 (40)	1.18 (30)	8.27 (210)	8	6.20 (157)
JIS 2220	40A	10K-16K	5.51 (140)	0.65 (16.5)	0.75 (19.1)	4.13 (104.9)	4	3.15 (80)
		20K	5.51 (140)	0.73 (18.5)	0.75 (19.1)	4.13 (104.9)	4	3.15 (80)
		40K	6.30 (160)	0.97 (24.6)	0.91 (23.1)	4.72 (119.9)	4	3.15 (80)
	50A	10K	6.10 (155)	0.63 (16)	0.75 (19)	4.72 (120)	4	4.00 (102)
		20K	6.10 (155)	0.71 (18)	0.75 (19)	4.72 (120)	8	4.00 (102)
		40K	6.50 (165)	1.02 (26)	0.75 (19)	5.12 (130)	8	4.00 (102)
	80A	10K	7.28 (185)	0.71 (18)	0.75 (19)	5.91 (150)	8	5.43 (138)
		20K	7.87 (200)	0.87 (22)	0.91 (23)	6.30 (160)	8	5.43 (138)
		40K	8.27 (210)	1.26 (32)	0.91 (23)	6.69 (170)	8	5.43 (138)
	100A	10K	8.27 (210)	0.71 (18)	0.75 (19)	6.89 (175)	8	6.20 (157)
		20K	8.86 (225)	0.94 (24)	0.91 (23)	7.28 (185)	8	6.20 (157)
		40K	9.84 (250)	1.42 (36)	0.98 (25)	8.07 (205)	8	6.20 (157)

DIMENSIONS IN INCHES (MILLIMETERS)

ASME B16.5	EN1092-1	JIS 2220	DIAMETER "E"
1-1/2"	DN40	40A	1.45 (37)
2"	DN50	50A	1.90 (48)
3"	DN80	80A	2.58 (66)
3" SCh 40	DN80	80A	2.85 (73)
3" Headbox	DN80 Headbox	N/A	2.875 (74)
4"	DN100	100A	3.50 (89)
4" SCh 40	DN100	100A	3.70 (94)
4" Headbox	DN100 Headbox	N/A	3.78 (96)



EMERSON  
 TITLE: ROSEMOUNT 1199 SEALS  
 TYPE I DRAWING  
 DR. J. ARISTIDE 12/27  
 DATE: 11/14/17  
 UNIT: MILLIMETERS  
 SHEET 17 OF 17